

OCXO2215L

SMD OCXO with HCMOS Output

Features and Benefits

HCMOS output
Frequency Tuning Input
2 minutes max warm-up
22.7x15.1x11mm max

Description

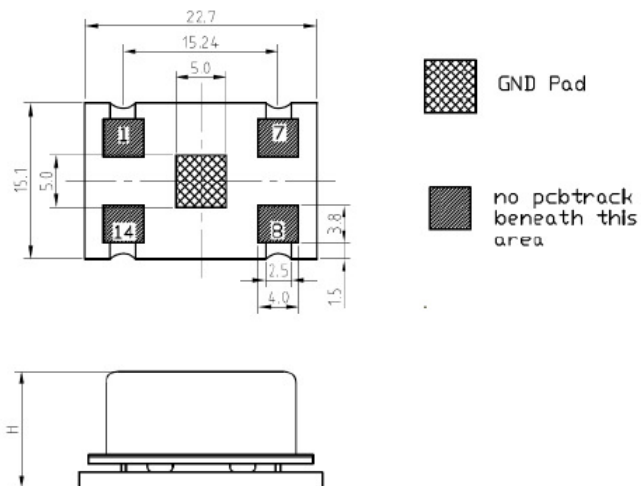
OCXO2215L is 2 minutes max fast warm-up OCXO with HCMOS output

Typical Applications

Signal Analyzer Reference for internal synthesizers
Harsh Environment Applications

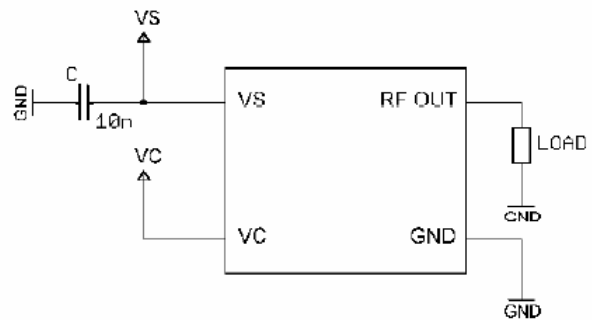
Mechanical Drawing & Pin Connections

Drawing No: MD140073-1



Pin connections

Pin #	Symbol	Function
1	V_C	Control Voltage (EFC)
7	GND	Ground
8	RF OUT	RF Output
14	V_S	Supply Voltage



OCXO2215L

SMD OCXO with HCMOS Output

Specifications

OCXO Specification	Sym	Condition	Value			Unit	Note
			Min.	Typ.	Max.		
Frequency Range	F ₀		10		125	MHz	
Standard Frequencies			10.000/20.000/80.000/100.000			MHz	
RF Output							
Output Waveform			HCMOS				
Load		+/-10%		15		pF	
Symmetry(Duty Cycle)		@ Vs/2	40		60	%	
Rise & Decay Time		@10% to 90% Vs			5	ns	
Power Supply							
Voltage	Vcc		3.15	3.3	3.45	V	Optional
			4.75	5.0	5.25		
			11.4	12.0	12.6		
Current Consumption(Steady State)	I _{Steady}	@ Vcc=3.3V			300	mA	Optional
		@ Vcc=5V			200		
		@ Vcc=12V			100		
Current Consumption(Warm-up)	I _{Warm-up}	@ Vcc=3.3V			700	mA	Optional
		@ Vcc=5V			500		
		@ Vcc=12V			200		
Warm-up Time@+25°C		$\Delta f_{final}/f_0 < +/-0.1 \text{ ppm}$			2	min	
Frequency Control*							
Electronic Frequency Control(EFC)		For AT-Cut	+/-2		+/-5	ppm	Optional
		For SC-Cut	+/-1				
EFC Voltage	Vc	@ Vcc=3.3V	0.15	1.65	3.15	V	Optional
		@ Vcc=5V or 12V	0.25	2.50	4.75	V	
EFC Input Impedance			100			Kohm	
EFC Slope	$\Delta f/Vc$		Positive				
Frequency Stability							
Initial Tolerance @+25°C		Vc @ Centre value			+/-500	ppb	
Vs. Operating Temperature Range		Steady state			+/-10	ppb	For more information, Please consult sale
Vs. Supply Voltage Variation(Pushing)		Vs +/-5%			+/-10	ppb	
Vs. Load Change(Pulling)		Load +/-10%			+/-20	ppb	
Aging	Long Term Per Day (After 30 Days Operation)	For AT-Cut			+/-10	ppb	Optional
		For SC-Cut			+/-2		
	Long Term 1 st Year (After 30 Days Operation)	For AT-Cut		+/-300	+/-500	ppb	Optional
		For SC-Cut		+/-100	+/-200		
Phase Noise							
Consult Sale							
Environmental							
Packing	Palette or tube						
Size	20.7x15.1x11mm max						
Weight	7g max						