

**OCXO5440L**  
SMA Connector OCXO

**Features and Benefits**

-55 to +85 operating temperature range  
Sine wave output  
+3dBm min. output level  
54x40.5x19mm

**Description**

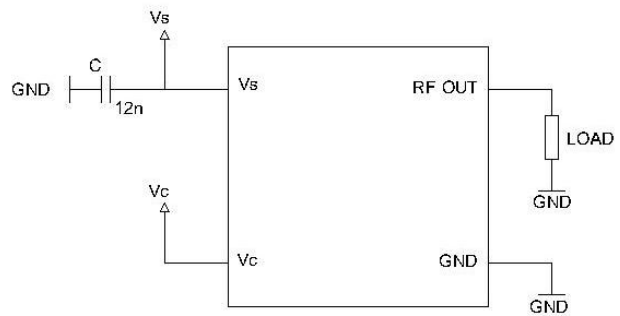
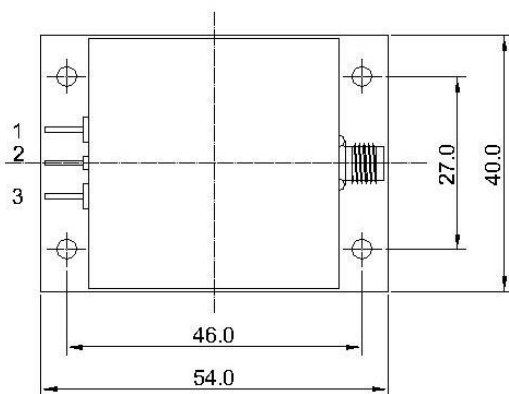
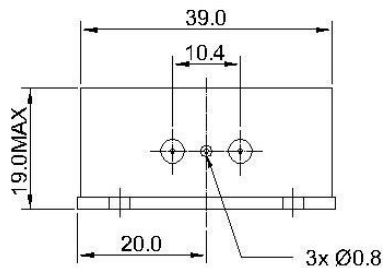
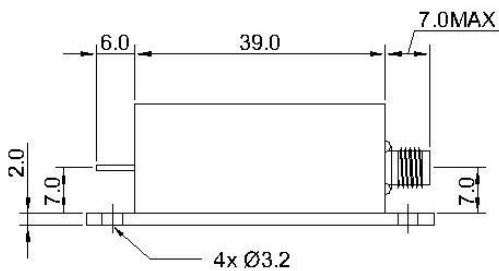
OCXO5440L series with sine wave output and SMA connector.

**Typical Applications**

Ref. For Microwave Comm.. System  
SATCOM System  
10 Gigabit Ethernet, Fiber Channel.

**Mechanical Drawing & Pin Connections**

Drawing No: MD140060-2



Pin Connections:

Pin#	Symbol	Function
1	Vc	Control Voltage(EFC)
2	GND	Ground
3	Vs	Supply Voltage
SMA	RF OUT	RF Output

Unit : mm

## Specifications

HPXO Specification	Sym	Condition	Value			Unit	Note
			Min.	Typ.	Max.		
Frequency Range	F <sub>0</sub>		10		40	MHz	
Standard Frequencies			10.000/20.000/30.000			MHz	
<b>RF Output</b>							
Output Waveform			Sine wave				
Load	RL	+/-10%		50		Ohm	
Output Level			+3			dBm	Other output level on request
Harmonics					-30	dBc	
Spurious					-90	dBc	
Warm-up Time@+25°C		$\Delta f_{\text{final}}/f_0 < +/-0.1 \text{ ppm}$		3	5	min	
<b>Power Supply</b>							
Voltage	Vcc		3.15	3.3	3.45	V	Optional
			4.75	5.0	5.25		
			11.4	12.0	12.6		
Current Consumption (Steady-state@+25°C)		Vcc=3.3V			350	mA	Steady-state@+25°C
		Vcc=5V			250		
		Vcc=12V			150		
Current Consumption (Warm-up)		Vcc=3.3V			900	mA	Steady-state@+25°C
		Vcc=5V			600		
		Vcc=12V			350		
<b>Frequency Control*</b>							
Frequency Adjust Range		AT-Cut	+/-2		+/-5	ppm	Tuning Slope: Positive
		SC-Cut	+/-0.8				
Control Voltage		Vcc=3.3V	0.15	1.65	3.15	V	
		Vcc=5V or 12V	0.25	2.50	4.75		
Internal Resistance			100			Kohm	
<b>Frequency Stability</b>							
Initial Tolerance @+25°C		Vc@center value			+/-300	ppb	
Vs. Operating Temperature Range		-55°C to +85°C			+/-25	ppb	Other stabilities and temperature please contact our sales
Vs. Supply Voltage Change		Vs+/-5%			+/-10	ppb	
Vs. Load Change		RL+/-10%			+/-10	ppb	
Long Term Per Day (After 30 Days Operation)		AT-Cut			+/-10	ppb	Lower aging on request
		SC-Cut			+/-2		
Long Term Aging(1 <sup>st</sup> Year) (After 30 Days Operation)		AT-Cut		+/-300	+/-500	ppb	Lower aging on request
		SC-Cut		+/-50	+/-200		
<b>Phase Noise</b>							
Phase Noise			Please consult our sales				
<b>Environmental</b>							
Operating Temperature Range	-55°C to +85°C						
Storage Temperature Range	-55°C to +125°C						
Size	54.0 x 40.5 x 19.0mm Max.						
Weight	60g Max.						