

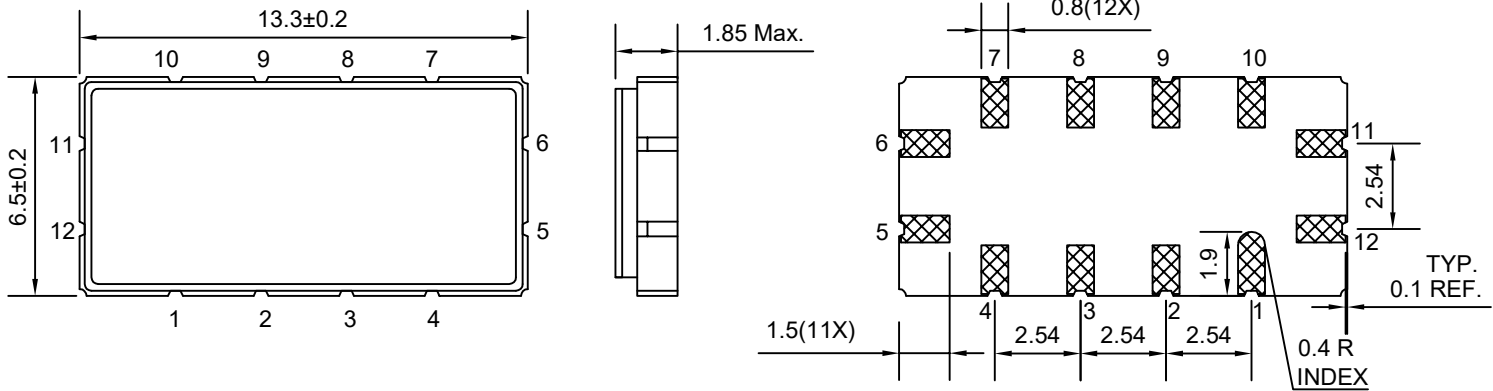


Specifications

Parameter	Units	Min.	Typical	Max.
Center Frequency (Fc)	MHz	69.85	70	70.15
Insertion Loss (IL)	dB		7.5	8.2
1dB Bandwidth	MHz	2.3	2.63	
3dB Bandwidth	MHz	3.0	3.55	
35dB Bandwidth	MHz		6.0	7.5
Amplitude Ripple Within Fc±0.92MHz	dB		0.75	1.0
Phase Linearity Within Fc±1.2MHz(rms)	deg		2.2	5.0
Group Delay Ripple Within Fc±1.2MHz	nsec		155	190
Absolute Delay	usec		1.07	
Attenuation (Reference level from Min IL)				
10-66MHz	dB	40	45	
74-140MHz	dB	40	45	
Substrate Material			YZ-LN	
Temperature Coefficient	ppm/°C		-94	
Ambient Temperature	°C		25	
Input Power Level	dBm			+20
Operating Temperature Range	°C	-10		+70
Storage Temperature Range	°C	-40		+85
Moisture Sensitivity Level			Level 1 (MSL1)	

Mechanical Drawing & Pin Connections

Drawing No: A8 & \$\$\$)!%



PIN #	Function
11	RF Input
5	RF Output
12	Input Ground
6	Output Ground
1,2,3,4,7,8,9,10	To be Ground

Unit in mm
 1mm = 0.0394 inches