



Features and Benefits

- Frequency range: 27.095MHz
- Supply voltage: 5.0V
- Steady current: 25mA/Max
- Output waveform: Sinewave
- Frequency stability vs. operating temperature: ± 2.0 ppm
- Aging: ± 1.0 ppm/year
- Operating temperature: -40°C to $+85^{\circ}\text{C}$
- Size: 20x13x7.5mm

Typical Applications

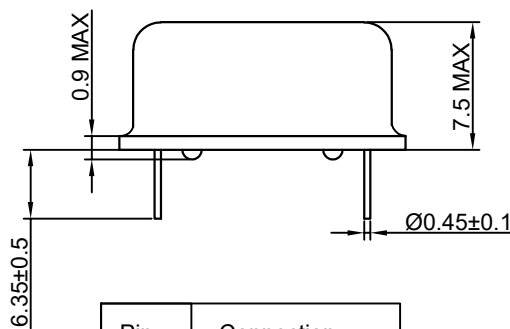
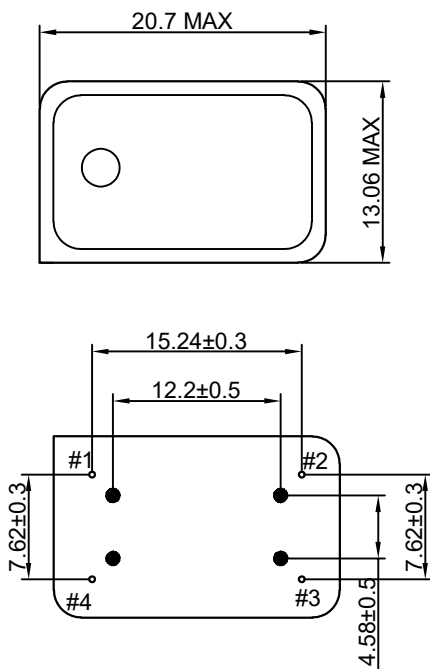
- UHF Synthesizers
- SATCOM System
- Portable Microwave Applications

Description

TCXO2013BE-27.095MHz-A offers wide temperature operation from -40°C to $+85^{\circ}\text{C}$ with outstanding frequency stability performance.

Mechanical Drawing & Pin Connections

Drawing No: MD240021-1



Pin	Connection
1	N.C./V.C.
2	GND
3	Output
4	Vcc

Unit in mm
1mm = 0.0394 inches



Specifications

Oscillator Specification	Sym	Condition	Value			Unit	Note
			Min.	Typ.	Max.		
Operational Frequency	F _{nom}			27.095		MHz	
Sinewave	Output power			+5		dBm	
	Output Load			50		ohm	
Power Supply							
Voltage	V _{cc}	±5%		5.0		V	
Current Consumption					25	mA	
Frequency Stability							
Versus temperature		-40°C to +85°C			±2.0	ppm	
Versus voltage		±5%			±0.2	ppm	
Versus load		±5%			±0.2	ppm	
Aging per year					±1.0	ppm	
Frequency Adjustment		By internal trimmer	±3.0			ppm	
Tolerance @25°C					±1.0	ppm	
Environmental Conditions							
Operating temperature range	-40°C to +85°C						
Storage temperature range	-45°C to +90°C						
Vibration	MIL-STD-202, Method 204, Cond. D						
Shock	MIL-STD-202, Method 213, Cond. I						