



Features and Benefits

- Frequency range: 55MHz
- Supply voltage: 5.0V
- Steady current: 4.0mA/Max
- Output waveform: Clipped sinewave
- Frequency stability vs. operating temperature: ± 1.0 ppm
- Aging: ± 3.0 ppm/20 years
- Phase noise@100KHz: -155dBc/Hz
- Operating temperature: -40°C to +85°C
- Size: 20x13x7.5mm

Typical Applications

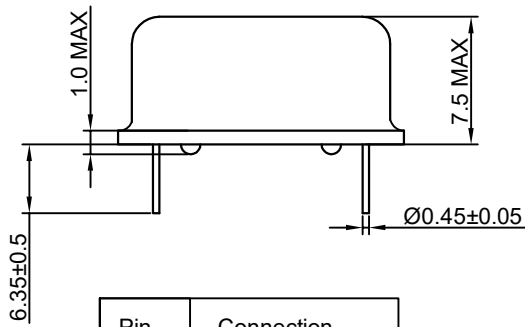
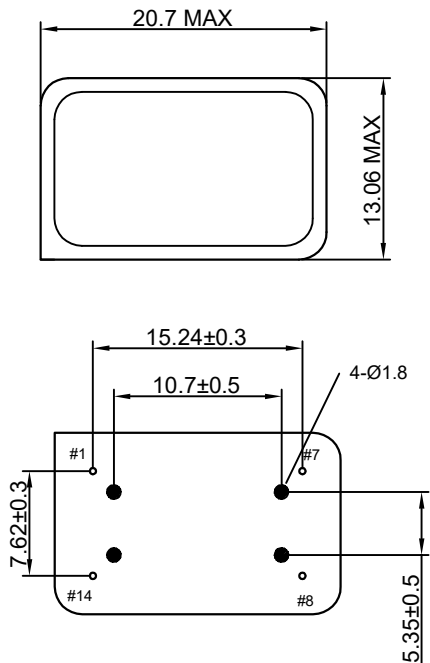
- UHF Synthesizers
- SATCOM System
- Portable Microwave Applications

Description

TCXO2013BE-55MHz-A offers wide temperature operation from -40°C to +85°C with outstanding frequency stability and low phase noise performance.

Mechanical Drawing & Pin Connections

Drawing No: MD160067-2



Pin	Connection
1	N.C
7	GND
8	Output
14	Vcc



Specifications

Oscillator Specification	Sym	Condition	Value			Unit	Note
			Min.	Typ.	Max.		
Operational Frequency	F _{nom}			55		MHz	
Clipped sinewave	Level		1.0Vp-p			V	
	Output Load			10kohm//10pF			
Power Supply							
Voltage	V _{cc}	±5%		5.0		V	
Current Consumption					4.0	mA	
Frequency Stability							
Versus temperature		-40°C to +85°C,			±1.0	ppm	
Initial Tolerance at 25°C					±0.5	ppm	
Versus change in supply voltage		±5%			±0.05	ppm	
Versus change in load		±10%			±0.05	ppm	
20 Years Aging					±3.0	ppm	
Phase Jitter (12KHz to 20MHz)		RMS			1.0	ps	
Phase Noise		10Hz		-100		dBc/Hz	
		100Hz		-130			
		1000Hz		-145			
		10KHz		-154			
		100KHz		-155			
Environmental Conditions							
Operating temperature range		-40°C to +85°C					
Storage temperature range		-55°C to +125°C					