



### Features and Benefits

- Frequency range: 10MHz
- Supply voltage: 3.3V
- Current: 7mA Max.
- Output waveform: Clipped Sine
- Frequency stability vs. temperature:  $\pm 0.2$ PPM
- Aging:  $\pm 1$ PPM per year
- Phase noise: -152dBc/Hz@100KHz:
- Operating temperature: -20°C to +70°C
- Size: 5x3.2x1.7 mm

### Typical Applications

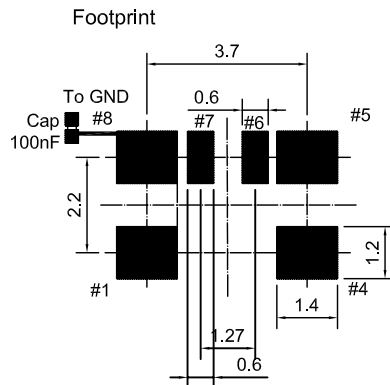
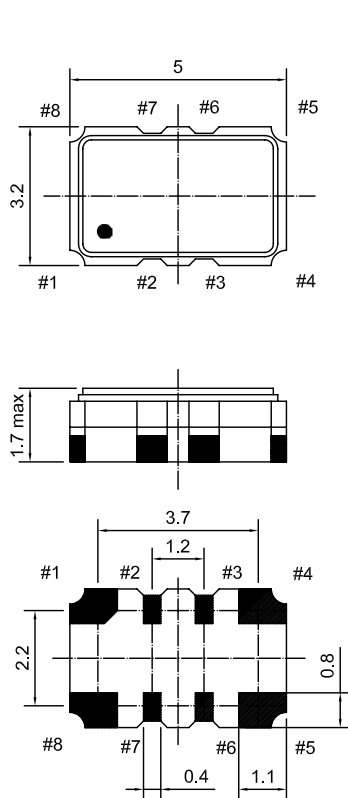
- Portable Wireless Communications
- Mobile Test Equipment
- Radio
- SATCOM System

### Description

TCXO5300BT-HS-10MHz\_CS-1332 is the high stability and low phase noise small size TCXO. It can be widely used in the portable communication devise.

### Mechanical Drawing & Pin Connections

Drawing No: MD150017-8



#### Pin Function

#1	V <sub>c</sub> (EFC) *
#2	N.C. or GND
#3	N.C. or GND
#4	GND
#5	Output
#6	Tri-state or N.C.
#7	N.C.
#8	V <sub>cc</sub>

\*For control voltage version

Unit in mm  
1mm = 0.0394 inches



**Specifications**

Oscillator Specification	Sym	Condition	Value			Unit	Note
			Min.	Typ.	Max.		
Operational Frequency	f <sub>0</sub>			10		MHz	
<b>RF Output</b>							
Output Waveform			Clipped sine				
Output Level			0.8			Vp-p	
Output Load			10K//10pF				
Tri-state function		PIN#6 high or open	Pin#5 oscillation				
		PIN#6 low or GND	Pin#5 high impedance				
<b>Power Supply</b>							
Voltage	V <sub>cc</sub>	±5%		3.3		V	
Current					7	mA	
<b>Frequency Control</b>							
Control Voltage Range			0.5	1.5	2.5	V	
Tuning Range		Positive slope	±5			ppm	
EFC input impedance			100			Kohm	
<b>Frequency Stability</b>							
Tolerance		@+25°C			1.0	ppm	
Versus Temperature Reference to (FMAX+FMIN)/2					±0.2	ppm	
Versus Aging@+40°C		1 <sup>st</sup> year			±1.0	ppm	
G-sensitivity		Per axis			2.0	ppb/g	
Phase noise (typ.)		10 Hz		-83		dBc/Hz	For 40MHz
		100 Hz		-110			
		1 KHz		-135			
		10 KHz		-148			
		100 KHz		-152			
<b>Environmental Conditions</b>							
Operating temperature range		-20°C to +70 °C					
Storage temperature range		-55°C to +110 °C					
Reflow Profiles as per IPC/JEDEC J-STD-020C		≤260°C over 10 sec. Max.					

Note: Unless otherwise specified conditions are @+25 °C