



Features and Benefits

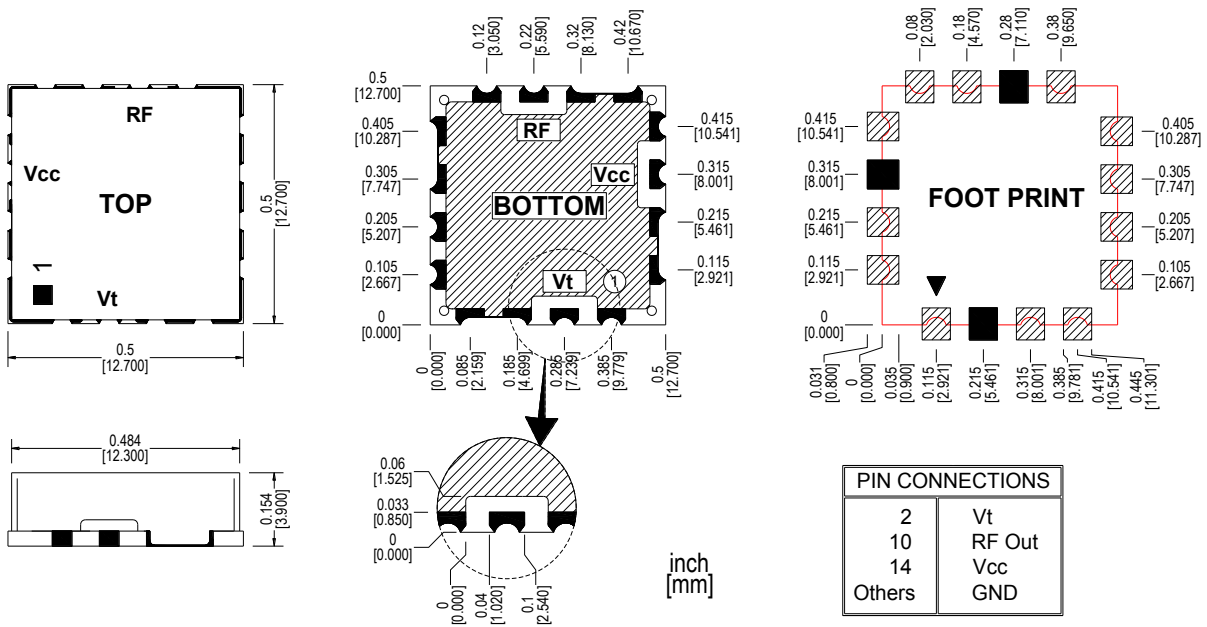
Frequency range: 50MHz – 100MHz
 Supply voltage: 12V
 Current: 30mA Max.
 Output power: +10dBm Typ.
 Tuning voltage: 0V to 20V
 Phase noise: -124dBc/Hz@100KHz
 Operating temperature: -40°C to +85°C
 Size: 12.7x12.7x3.9mm

Typical Applications

SATCOM
 Receiver
 Radio
 MMDS
 Radar
 Test Equipment
 WiMax

Mechanical Drawing & Pin Connections

Drawing No: MD140084-2





Specifications

Parameter	Units	Min.	Typical	Max.
Operating Frequency Range	MHz	50		100
Power Supply (Vcc)	Voltage	11.75	12	12.25
	Current			30
Output Power	dBm	+6	+10	+14
Output Impedance	Ω		50	
Phase Noise @10kHz offset	dBc/Hz		-105	-100
Phase Noise @100kHz offset	dBc/Hz		-124	-119
Tuning Voltage (Vt)	V	0		+20
Tuning Voltage Sensitivity (Kv)	MHz / V		1.5-8.0	
2nd Harmonic Suppression	dBc		-10	
Pushing Figure	MHz / V		2	
Pulling Figure(12dB RL)	MHz		5	
Input Capacitance	pF		100	
Operating Temperature Range	$^{\circ}\text{C}$	-40		+85