



**Features and Benefits**

- Low phase noise
- Linear tuning characteristics
- Low pushing / Low pulling
- Aqueous washable

**Typical Applications**

- SATCOM Point –to-Point
- Receiver Radio
- Test Equipment MMDS
- Radar WiMax

**Specifications**

| Parameter                       | Units  | Min. | Typical | Max. |
|---------------------------------|--------|------|---------|------|
| Operating Frequency Range       | MHz    | 1950 |         | 1950 |
| Output Power                    | dBm    |      | 7       |      |
| Phase Noise @10kHz offset       | dBc/Hz |      | -125    |      |
| Tuning Voltage (Vt)             | Vdc    |      | 0.5-4.5 |      |
| Tuning Voltage Sensitivity (Kv) | MHz/V  |      | 3       |      |
| 2nd Harmonic Suppression        | dBc    |      | -13     |      |
| Power Supply (Vcc) Voltage      | Vdc    |      | 5       |      |
| Power Supply (Vcc) Current      | mA     |      | 28      |      |
| Operating Temp. Range           | °C     | -40  |         | +85  |

**Mechanical Drawing & Pin Connections**

Drawing No: MD140084-1

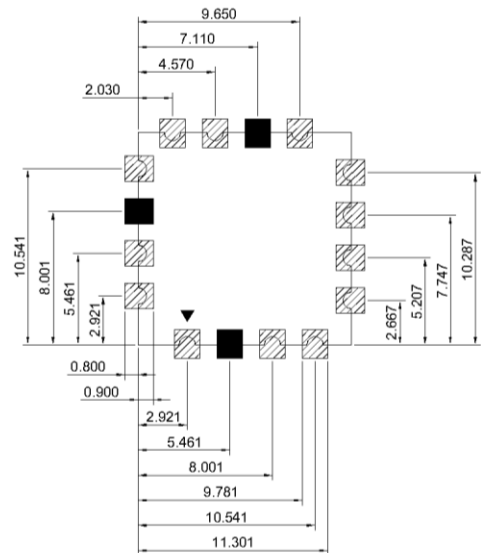
Top View



Bottom View



Foot Print



Side View



Pin Connections

|        |       |
|--------|-------|
| 2      | Vt    |
| 10     | RFOUT |
| 14     | Vcc   |
| Others | GND   |

Unit : mm