



Features and Benefits

- 1.2x1.0mm size ultra-miniature and lightweight SMD crystal units with low profile of 0.3mm
- Frequency range from 36MHz to 54MHz
- High precision and high frequency stability
- High reliable environmental performance
- Automatic mounting and reflow soldering
- RoHS Compliant /Pb Free

Typical Applications

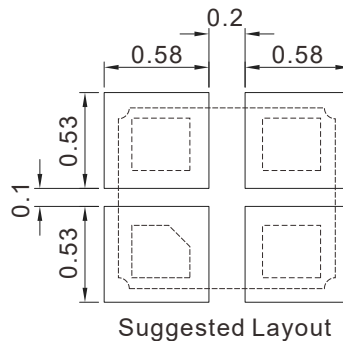
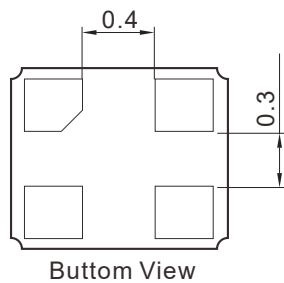
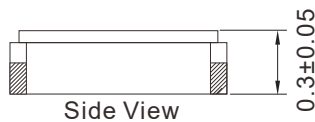
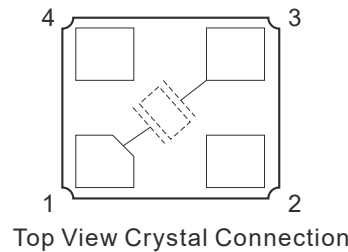
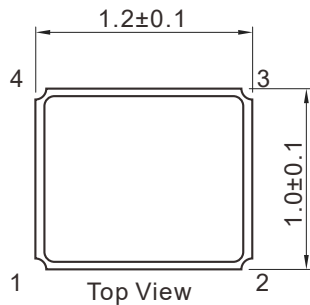
- Smart phone
- Sip module
- IoT
- Consumer products, etc.

Description

XTAL1210AL offers frequency range from 36MHz to 54MHz, High precision and high frequency stability, Allowing for high density surface mounting, Ideally suited designed for use in Portable Applications.

Mechanical Drawing & Pin Connections

Drawing No: MD200008-1



Unit in mm
1mm = 0.0394 inches



Specifications

Oscillator Specification	Sym	Condition	Value			Unit	Note	
			Min.	Typ.	Max.			
Frequency Range	F		36		54	MHz		
Load Capacitance			8pF, 10pF, or specify			pF		
Shunt Capacitance	C0				5	pF		
Drive Level			1	50	100	uW		
Equivalent Series Resistance (Fundamental)		36~54 MHz			150	ohm		
Frequency Stability								
Frequency Stability		Over Operating Temperature	±15ppm, ±30ppm, or specify			ppm		
Frequency Tolerance		(at 25°C)	±15ppm, ±30ppm, or specify			ppm		
Aging		@+25°C 1st year			±3	ppm		
Environmental Conditions								
Operating temperature range		-20°C to +70°C						
Storage temperature range		-40°C to +85°C						